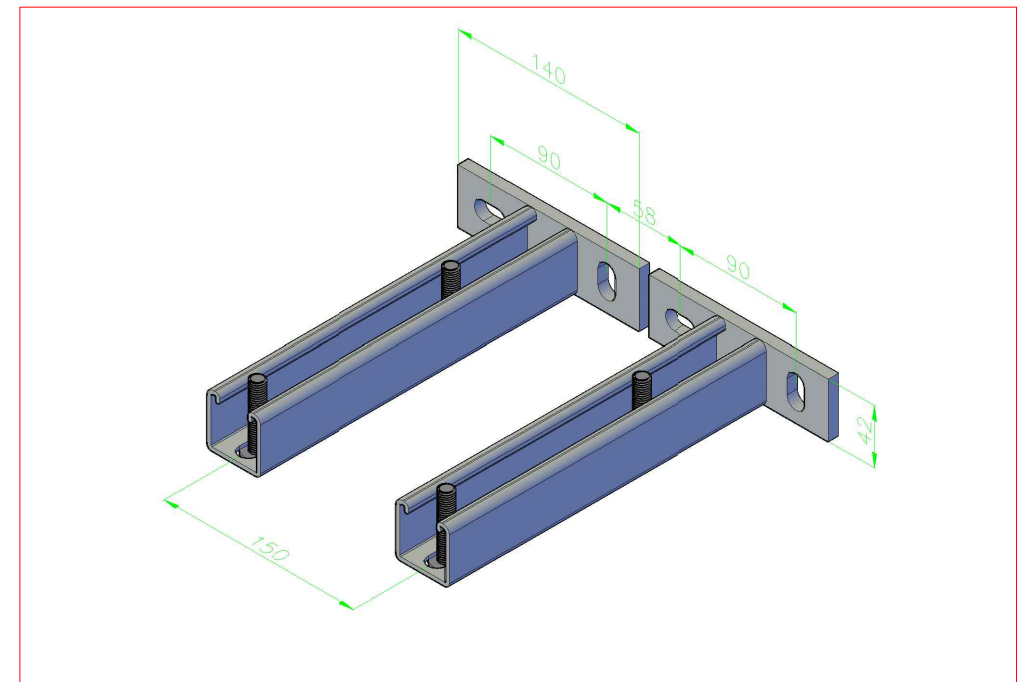
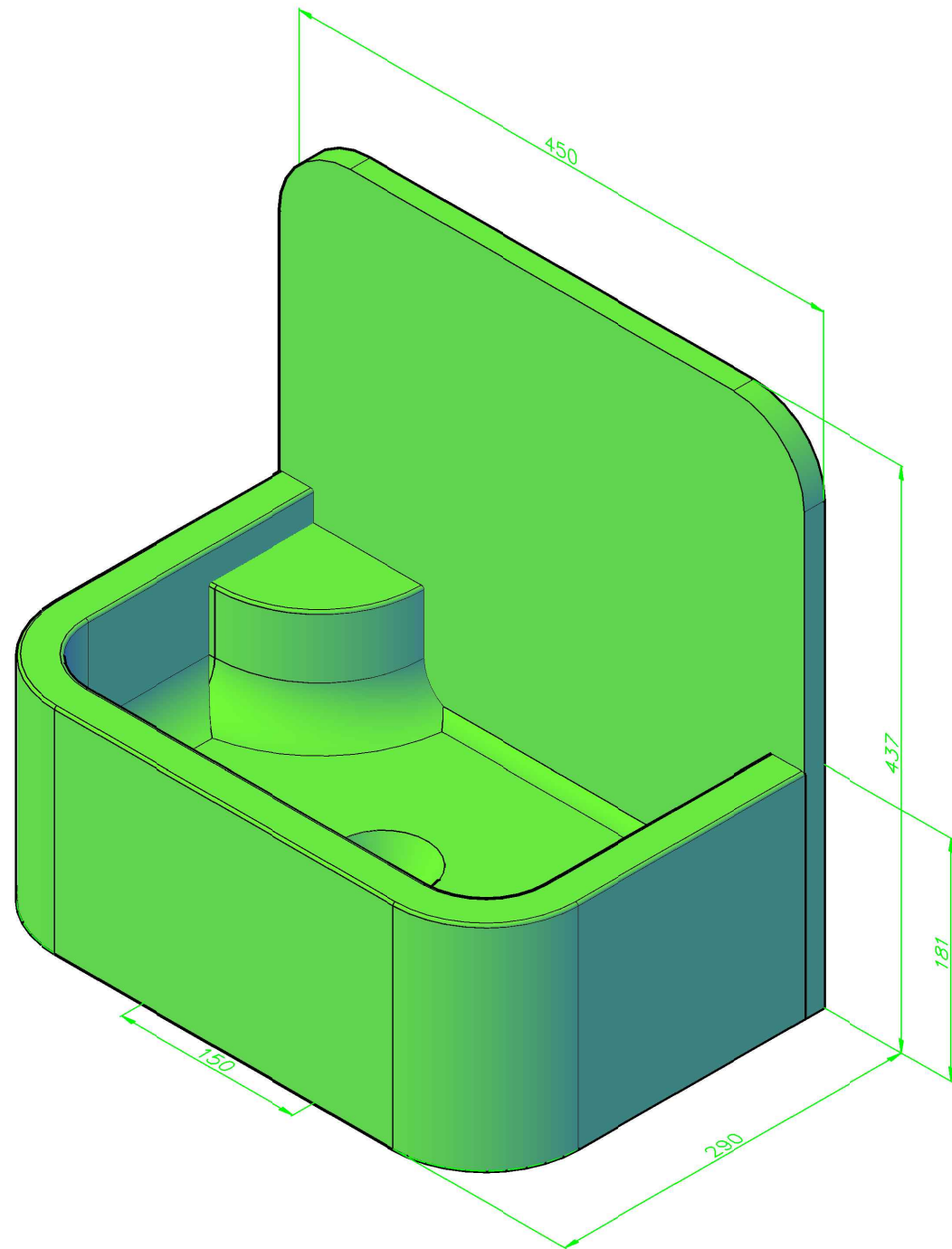



1 | 2 | 3 | 4 | 5 | 6 | 7 | 8

A
B
C
D
E
F

Notes
 Manufacturing Tolerance +/-5mm
 Standard Linear Deflection 5mm / linear m
 Read this drawing in conjunction with all other product specification and data sheets
 Unless otherwise stated, this product is manufactured to the latest relevant standard.
 Do not scale from this drawing, if in doubt contact Sam Lander Washbasins before proceeding to manufacture.



RevNo	Revision note	Date	Signature	Checked
A	Change Taper Dimension	26/10/2020	PH	SL

FILE NAME C:\Users\Peter\OneDrive\My Documents\Washbasins\21402201.dwg	FSCM NO	SHEET 01	SCALE 1:5
SIZE A3			
DRAWN 12/09/21 PH	Wash Basin		
CHECK 28/09/21 SL	Data Sheet		
APPR. 28/09/21 SLWB	DWG NO		
ISSUED 28/09/21 SL	\21402201.dwg		
REV			
CONTRACT NO B21			

1 | 2 | 3 | 4 | 5 | 6 | 7 | 8